
HM51W4260C Series

262,144-word × 16-bit Dynamic Random Access Memory

HITACHI

ADE-203-292C (Z)

Rev. 3.0

Jul. 10, 1997

Description

The Hitachi HM51W4260C is CMOS dynamic RAM organized as 262,144-word × 16-bit. HM51W4260C has realized higher density, higher performance and various functions by employing 0.8 μm CMOS process technology and some new CMOS circuit design technologies. The HM51W4260C offers Fast Page Mode as a high speed access mode. It is packaged in standard 44-pin plastic TSOPII.

Features

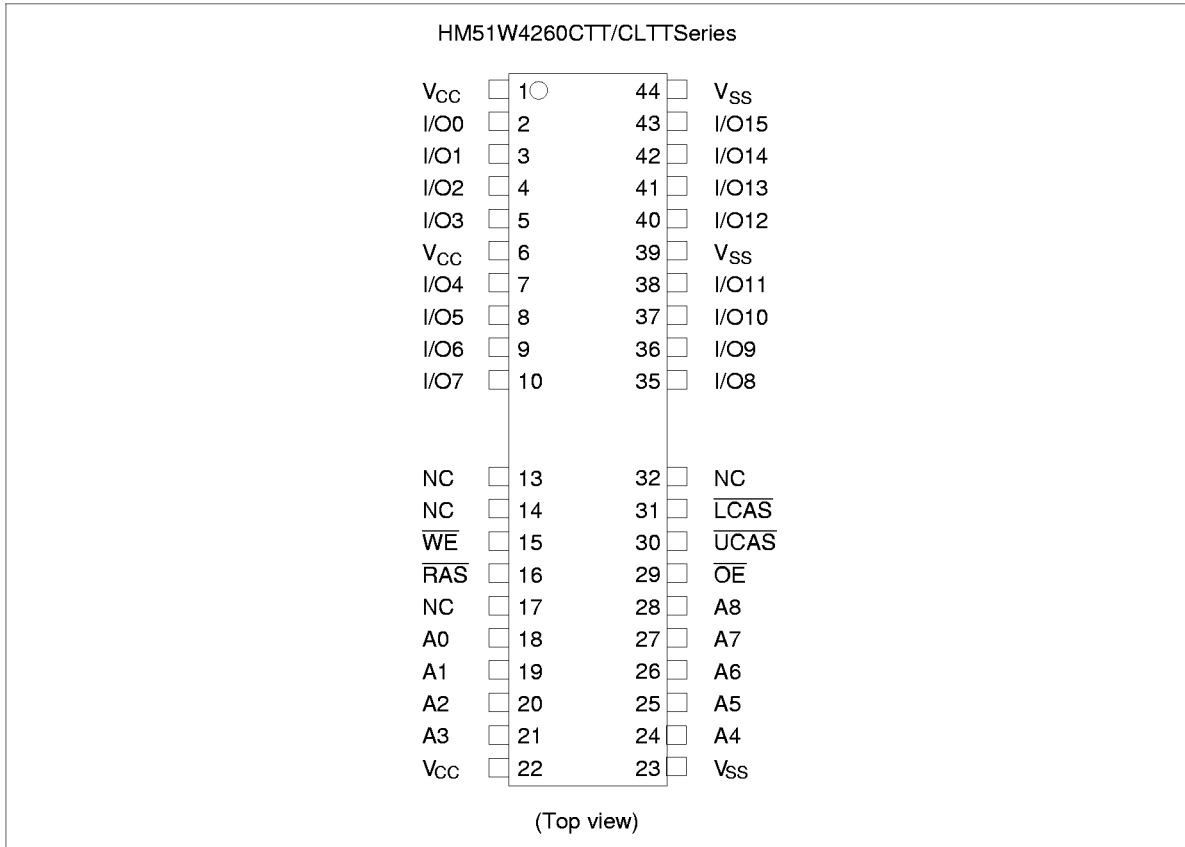
- Single 3.3 V supply: 3.3 V ±0.15 V (HM51W4260C-6R)
3.3 V ±0.3 V (HM51W4260C-7/8)
- Access time: 60 ns/70 ns/80 ns (max)
- Power dissipation
 - Active mode: 449 mW/396 mW/342 mW (max)
 - Standby mode: 6.9 mW (max) (HM51W4260C-6R)
7.2 mW (max) (HM51W4260C-7/8)
0.35 mW (max) (L-version) (HM51W4260CL-6R)
0.36 mW (max) (L-version) (HM51W4260CL-7/8)
- Fast page mode capability
- Refresh cycles
 - 512 refresh cycles: 8 ms
128 ms (L-version)
- 2 $\overline{\text{CAS}}$ -byte control
- 3 variations of refresh
 - $\overline{\text{RAS}}$ -only refresh
 - $\overline{\text{CAS}}$ -before- $\overline{\text{RAS}}$ refresh
 - Self refresh
- Battery back up operation (L-version)

HM51W4260C Series

Ordering Information

Type No.	Access time	Package
HM51W4260CTT-6R	60 ns	400-mill 44-pin plastic TSOP II (TTP-44/40DB)
HM51W4260CTT-7	70 ns	
HM51W4260CTT-8	80 ns	
HM51W4260CLTT-6R	60 ns	
HM51W4260CLTT-7	70 ns	
HM51W4260CLTT-8	80 ns	

Pin Arrangement

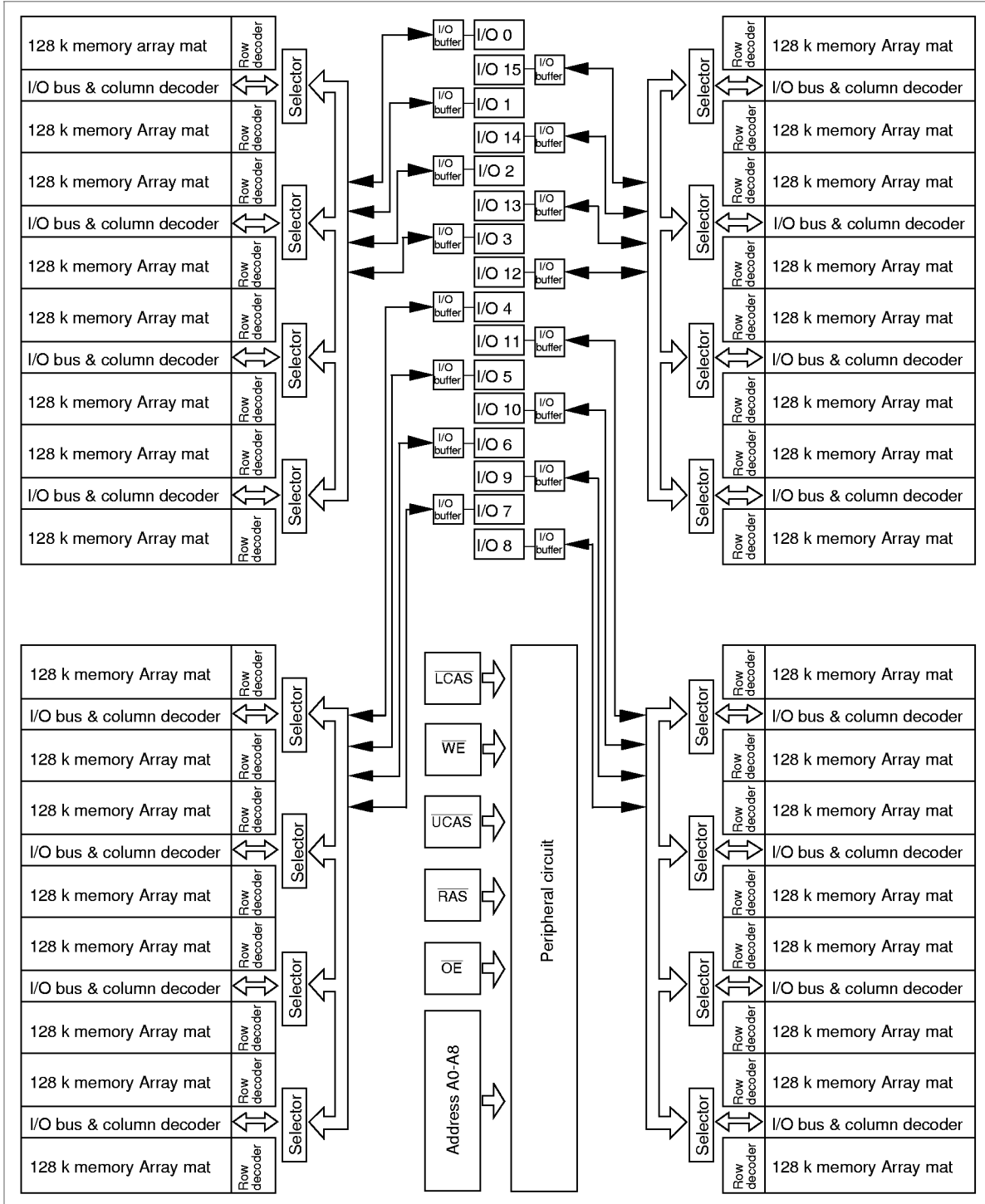


Pin Description

Pin name	Function
A0 to A8	Address input – Row address A0 to A8 – Column address A0 to A8 – Refresh address A0 to A8
I/O0 to I/O15	Data input/output
$\overline{\text{RAS}}$	Row address strobe
$\overline{\text{UCAS}}, \overline{\text{LCAS}}$	Column address strobe
$\overline{\text{WE}}$	Read/write enable
$\overline{\text{OE}}$	Output enable
V _{CC}	Power supply
V _{SS}	Ground
NC	No connection

HM51W4260C Series

Block Diagram



Operation Table

The HM51W4260C series has the following 11 operation modes.

1. Read cycle
2. Early write cycle
3. Delayed write cycle
4. Read-modify-write cycle
5. $\overline{\text{RAS}}$ -only refresh cycle
6. $\overline{\text{CAS}}$ -before- $\overline{\text{RAS}}$ refresh cycle
7. Self refresh cycle
8. Fast page mode read cycle
9. Fast page mode early write cycle
10. Fast page mode delayed write cycle
11. Fast page mode read-modify-write cycle

HM51W4260C Series

Inputs

RAS	LCAS	UCAS	WE	OE	Output	Operation
H	H	H	D	D	Open	Standby
H	L	L	H	L	Valid	Standby
L	L	L	H	L	Valid	Read cycle
L	L	L	L*2	D	Open	Early write cycle
L	L	L	L*2	H	Undefined	Delayed write cycle
L	L	L	H to L	L to H	Valid	Read-modify-write cycle
L	H	H	D	D	Open	$\overline{\text{RAS}}$ -only refresh cycle
H to L	H	L	D	D	Open	$\overline{\text{CAS}}$ -before- $\overline{\text{RAS}}$ refresh cycle
	L	H				Self refresh cycle
	L	L				
L	H to L	H to L	H	L	Valid	Fast page mode read cycle
L	H to L	H to L	L*2	D	Open	Fast page mode early write cycle
L	H to L	H to L	L*2	H	Undefined	Fast page mode delayed write cycle
L	H to L	H to L	H to L	L to H	Valid	Fast page mode read-modify-write cycle
L	L	L	H	H	Open	Read cycle (Output disabled)

Notes: 1. H: High(inactive) L: Low(active) D: H or L (H: $V_{IH}(\min) \leq V_{IN} \leq V_{IH}(\max)$, L: $V_{IL}(\min) \leq V_{IN} \leq V_{IL}(\max)$)

2. $t_{wCS} \geq 0$ ns: Early write cycle

$t_{wCS} < 0$ ns: Delayed write cycle

3. Mode is determined by the OR function of the $\overline{\text{UCAS}}$ and $\overline{\text{LCAS}}$. (Mode is set by the earliest of $\overline{\text{UCAS}}$ and $\overline{\text{LCAS}}$ active edge and reset by the latest of $\overline{\text{UCAS}}$ and $\overline{\text{LCAS}}$ inactive edge.) However write operation and output High-Z control are done independently by each $\overline{\text{UCAS}}$, $\overline{\text{LCAS}}$.

ex. if $\overline{\text{RAS}} = \text{H to L}$, $\overline{\text{LCAS}} = \text{L}$, $\overline{\text{UCAS}} = \text{H}$, then $\overline{\text{CAS}}$ -before- $\overline{\text{RAS}}$ refresh cycle is selected.

Absolute Maximum Ratings

Parameter	Symbol	Value	Unit
Voltage on any pin relative to V_{SS}	V_T	-0.5 to +4.6	V
Supply voltage relative to V_{SS}	V_{CC}	-0.5 to +4.6	V
Short circuit output current	I_{out}	50	mA
Power dissipation	P_T	1.0	W
Operating temperature	T_{opr}	0 to +70	°C
Storage temperature	T_{stg}	-55 to +125	°C

HM51W4260C Series

Recommended DC Operating Conditions (Ta = 0 to +70°C)

Parameter	Symbol	Min	Typ	Max	Unit	Notes
Supply voltage	V_{SS}	0	0	0	V	2
	V_{CC} (HM51W4260C-6R)	3.15	3.3	3.45	V	1, 2
	V_{CC} (HM51W4260C-7/8)	3.0	3.3	3.6	V	1, 2
Input high voltage	V_{IH}	2.0	—	$V_{CC} + 0.3$	V	1
Input low voltage	V_{IL}	-0.3	—	0.8	V	1

Notes: 1. All voltage referred to V_{SS}

2. The supply voltage with all V_{CC} pins must be on the same level.

The supply voltage with all V_{SS} pins must be on the same level.

HM51W4260C Series

DC Characteristics

(Ta = 0 to 70°C, V_{CC} = 3.3 V ± 0.15 V, V_{SS} = 0 V) (HM51W4260C-6R)*⁵

(Ta = 0 to 70°C, V_{CC} = 3.3 V ± 0.3 V, V_{SS} = 0 V) (HM51W4260C-7/8) *⁵

HM51W4260C									
		-6R		-7		-8			
Parameter	Symbol	Min	Max	Min	Max	Min	Max	Unit	Test conditions
Operating current* ¹ , * ²	I _{CC1}	—	130	—	110	—	95	mA	$\overline{\text{RAS}}$, $\overline{\text{UCAS}}$, $\overline{\text{LCAS}}$ cycling t _{RC} = min
Standby current	I _{CC2}	—	2	—	2	—	2	mA	TTL interface $\overline{\text{RAS}}$, $\overline{\text{UCAS}}$, $\overline{\text{LCAS}} = V_{IH}$ Dout = High-Z
		—	1	—	1	—	1	mA	CMOS interface $\overline{\text{RAS}}$, $\overline{\text{UCAS}}$, $\overline{\text{LCAS}}$, $\overline{\text{WE}}$, $\overline{\text{OE}} \geq V_{CC} - 0.2 \text{ V}$ Dout = High-Z
Standby current (L-version)		—	100	—	100	—	100	μA	CMOS interface $\overline{\text{RAS}}$, $\overline{\text{UCAS}}$, $\overline{\text{LCAS}}$, $\overline{\text{OE}}$, $\overline{\text{WE}} \geq V_{CC} - 0.2 \text{ V}$ Dout = High-Z
$\overline{\text{RAS}}$ -only refresh current* ²	I _{CC3}	—	125	—	105	—	92	mA	t _{RC} = min
Standby current* ¹	I _{CC5}	—	5	—	5	—	5	mA	$\overline{\text{RAS}} = V_{IH}$, $\overline{\text{UCAS}}$, $\overline{\text{LCAS}} = V_{IL}$ Dout = enable
$\overline{\text{CAS}}$ -before- $\overline{\text{RAS}}$ refresh current* ²	I _{CC6}	—	125	—	105	—	92	mA	t _{RC} = min
Fast page mode current* ¹ , * ³	I _{CC7}	—	115	—	95	—	80	mA	t _{PC} = min
Battery back up current* ⁴ (Standby with CBR refresh) (L-version)	I _{CC10}	—	100	—	100	—	100	μA	Standby: CMOS interface Dout = High-Z CBR refresh: t _{RC} = 250 μs t _{RAS} ≤ 1 μs, $\overline{\text{UCAS}}$, $\overline{\text{LCAS}} = V_{IL}$ $\overline{\text{WE}}$, $\overline{\text{OE}} = V_{IH}$
Self-refresh mode current (HM51W4260C)	I _{CC11}	—	1	—	1	—	1	mA	CMOS interface $\overline{\text{RAS}}$, $\overline{\text{UCAS}}$, $\overline{\text{LCAS}} \leq 0.2 \text{ V}$, Dout = High-Z
Self-refresh mode current (HM51W4260CL)		—	100	—	100	—	100	μA	CMOS interface $\overline{\text{RAS}}$, $\overline{\text{UCAS}}$, $\overline{\text{LCAS}} \leq 0.2 \text{ V}$, Dout = High-Z
Input leakage current	I _{LI}	-10	10	-10	10	-10	10	μA	0 V ≤ Vin ≤ 4.6 V
Output leakage current	I _{LO}	-10	10	-10	10	-10	10	μA	0 V ≤ Vout ≤ 4.6 V, Dout = disable
Output high voltage	V _{OH}	2.4	V _{CC}	2.4	V _{CC}	2.4	V _{CC}	V	High Iout = -2 mA
Output low voltage	V _{OL}	0	0.4	0	0.4	0	0.4	V	Low Iout = 2 mA

Notes: 1. I_{CC} depends on output load condition when the device is selected. I_{CC} max is specified at the output open condition.

HM51W4260C Series

2. Address can be changed once or less while $\overline{\text{RAS}} = V_{\text{IL}}$.
3. Address can be changed once or less while $\overline{\text{UCAS}}$ and $\overline{\text{LCAS}} = V_{\text{IH}}$.
4. $V_{\text{IH}} \geq V_{\text{CC}} - 0.2 \text{ V}$, $0 \leq V_{\text{IL}} \leq 0.2 \text{ V}$, Address can be changed once or less while $\overline{\text{RAS}} = V_{\text{IL}}$.
5. All the V_{CC} pins shall be supplied with the same voltage. And all the V_{SS} pins shall be supplied with the same voltage.

Capacitance ($T_a = +25^\circ\text{C}$, $V_{\text{CC}} = 3.3 \text{ V} \pm 0.15 \text{ V}$) (HM51W4260C-6R)
 ($T_a = +25^\circ\text{C}$, $V_{\text{CC}} = 3.3 \text{ V} \pm 0.3 \text{ V}$) (HM51W4260C-7/8)

Parameter	Symbol	Typ	Max	Unit	Notes
Input capacitance (Address)	C_{I1}	—	5	pF	1
Input capacitance (Clocks)	C_{I2}	—	7	pF	1
Output capacitance (Data-in, Data-out)	$C_{\text{I/O}}$	—	10	pF	1, 2

- Notes: 1. Capacitance measured with Boonton Meter or effective capacitance measuring method.
 2. $\overline{\text{UCAS}}$ and $\overline{\text{LCAS}} = V_{\text{IH}}$ to disable Dout

HM51W4260C Series

AC Characteristics

($T_a = 0$ to 70°C , $V_{CC} = 3.3 \text{ V} \pm 0.15 \text{ V}$, $V_{SS} = 0 \text{ V}$) (HM51W4260C-6R) *1, *14, *15, *17, *18

($T_a = 0$ to 70°C , $V_{CC} = 3.3 \text{ V} \pm 0.3 \text{ V}$, $V_{SS} = 0 \text{ V}$) (HM51W4260C-7/8) *1, *14, *15, *17, *18

Test Conditions

- Input rise and fall time: 5 ns
- Input levels: $V_{IL} = 0 \text{ V}$, $V_{IH} = 3 \text{ V}$
- Input timing reference levels: 0.8 V, 2.0 V
- Output load: 1 TTL gate + C_L (50 pF) (HM51W4260C-6R) (Including scope and jig)
1 TTL gate + C_L (100 pF) (HM51W4260-7/8) (Including scope and jig)

Read, Write, Read-Modify-Write and Refresh Cycles (Common Parameters)

HM51W4260C									
		-6		-7		-8			
Parameter	Symbol	Min	Max	Min	Max	Min	Max	Unit	Notes
Random read or write cycle time	t_{RC}	110	—	130	—	150	—	ns	
$\overline{\text{RAS}}$ precharge time	t_{RP}	40	—	50	—	60	—	ns	
$\overline{\text{RAS}}$ pulse width	t_{RAS}	60	10000	70	10000	80	10000	ns	
$\overline{\text{CAS}}$ pulse width	t_{CAS}	15	10000	20	10000	20	10000	ns	23
Row address setup time	t_{ASR}	0	—	0	—	0	—	ns	
Row address hold time	t_{RAH}	10	—	10	—	10	—	ns	
Column address setup time	t_{ASC}	0	—	0	—	0	—	ns	19
Column address hold time	t_{CAH}	15	—	15	—	15	—	ns	19
$\overline{\text{RAS}}$ to $\overline{\text{CAS}}$ delay time	t_{RCD}	20	45	20	50	20	60	ns	8
$\overline{\text{RAS}}$ to column address delay time	t_{RAD}	15	30	15	35	15	40	ns	9
$\overline{\text{RAS}}$ hold time	t_{RSH}	15	—	20	—	20	—	ns	
$\overline{\text{CAS}}$ hold time	t_{CSH}	60	—	70	—	80	—	ns	
$\overline{\text{CAS}}$ to $\overline{\text{RAS}}$ precharge time	t_{CRP}	10	—	15	—	15	—	ns	20
$\overline{\text{OE}}$ to D_{in} delay time	t_{ODD}	15	—	20	—	20	—	ns	
$\overline{\text{OE}}$ delay time from D_{in}	t_{DZO}	0	—	0	—	0	—	ns	
$\overline{\text{CAS}}$ setup time from D_{in}	t_{DZC}	0	—	0	—	0	—	ns	
Transition time (rise and fall)	t_T	3	50	3	50	3	50	ns	7
Refresh period	t_{REF}	—	8	—	8	—	8	ms	
Refresh period (L-version)	t_{REF}	—	128	—	128	—	128	ms	

HM51W4260C Series

Read Cycle

HM51W4260C									
		-6		-7		-8			
Parameter	Symbol	Min	Max	Min	Max	Min	Max	Unit	Notes
Access time from $\overline{\text{RAS}}$	t_{RAC}	—	60	—	70	—	80	ns	2, 3
Access time from $\overline{\text{CAS}}$	t_{CAC}	—	15	—	20	—	20	ns	3, 4, 13
Access time from address	t_{AA}	—	30	—	35	—	40	ns	3, 5, 13
Access time from $\overline{\text{OE}}$	t_{OAC}	—	15	—	20	—	20	ns	3, 23
Read command setup time	t_{RCS}	0	—	0	—	0	—	ns	19
Read command hold time to $\overline{\text{CAS}}$	t_{RCH}	0	—	0	—	0	—	ns	16, 20
Read command hold time to $\overline{\text{RAS}}$	t_{RRH}	0	—	0	—	0	—	ns	16
Column address to $\overline{\text{RAS}}$ lead time	t_{RAL}	30	—	35	—	40	—	ns	
Output buffer turn-off time	t_{OFF1}	0	15	0	15	0	15	ns	6
Output buffer turn-off to $\overline{\text{OE}}$	t_{OFF2}	0	15	0	15	0	15	ns	6
$\overline{\text{CAS}}$ to Din delay time	t_{CDD}	15	—	15	—	15	—	ns	

Write Cycle

HM51W4260C									
		-6R		-7		-8			
Parameter	Symbol	Min	Max	Min	Max	Min	Max	Unit	Notes
Write command setup time	t_{WCS}	0	—	0	—	0	—	ns	10, 19
Write command hold time	t_{WCH}	15	—	15	—	15	—	ns	19
Write command pulse width	t_{WP}	10	—	10	—	10	—	ns	
Write command to $\overline{\text{RAS}}$ lead time	t_{RWL}	15	—	20	—	20	—	ns	
Write command to $\overline{\text{CAS}}$ lead time	t_{CWL}	15	—	20	—	20	—	ns	21
Data-in setup time	t_{DS}	0	—	0	—	0	—	ns	11, 21
Data-in hold time	t_{DH}	15	—	15	—	15	—	ns	11, 21
$\overline{\text{CAS}}$ to $\overline{\text{OE}}$ delay time	t_{COD}	—	0	—	0	—	0	ns	19, 23

HM51W4260C Series

Read-Modify-Write Cycle

HM51W4260C									
		-6R		-7		-8			
Parameter	Symbol	Min	Max	Min	Max	Min	Max	Unit	Notes
Read-modify-write cycle time	t_{RWC}	150	—	180	—	200	—	ns	
\overline{RAS} to \overline{WE} delay time	t_{RWD}	80	—	95	—	105	—	ns	10
\overline{CAS} to \overline{WE} delay time	t_{CWD}	35	—	45	—	45	—	ns	10
Column address to \overline{WE} delay time	t_{AWD}	50	—	60	—	65	—	ns	10
\overline{OE} hold time from \overline{WE}	t_{OEH}	15	—	20	—	20	—	ns	

Refresh Cycle

HM51W4260C									
		-6R		-7		-8			
Parameter	Symbol	Min	Max	Min	Max	Min	Max	Unit	Notes
\overline{CAS} setup time (CBR refresh cycle)	t_{CSR}	10	—	10	—	10	—	ns	19
\overline{CAS} hold time (CBR refresh cycle)	t_{CHR}	10	—	10	—	10	—	ns	20
\overline{RAS} precharge to \overline{CAS} hold time	t_{RPC}	10	—	10	—	10	—	ns	19
\overline{CAS} precharge time in normal mode	t_{CPN}	10	—	10	—	10	—	ns	22

Fast Page Mode Cycle

HM51W4260C									
		-6R		-7		-8			
Parameter	Symbol	Min	Max	Min	Max	Min	Max	Unit	Notes
Fast page mode cycle time	t_{PC}	40	—	45	—	50	—	ns	
Fast page mode \overline{CAS} precharge time	t_{CP}	10	—	10	—	10	—	ns	22
Fast page mode \overline{RAS} pulse width	t_{RASC}	—	100000	—	100000	—	100000	ns	12
Access time from \overline{CAS} precharge	t_{ACP}	—	35	—	40	—	45	ns	3, 13, 20
\overline{RAS} hold time from \overline{CAS} precharge	t_{RHCP}	35	—	40	—	45	—	ns	

HM51W4260C Series

Self Refresh Mode

Parameter	Symbol	HM51W4260C						Unit	Notes
		-6R		-7		-8			
		Min	Max	Min	Max	Min	Max		
$\overline{\text{RAS}}$ pulse width (self-refresh)	t_{RASS}	100	—	100	—	100	—	μs	24, 25, 26, 27
$\overline{\text{RAS}}$ precharge time (self-refresh)	t_{RPS}	110	—	130	—	150	—	ns	
$\overline{\text{CAS}}$ hold time (self-refresh)	t_{CHS}	-50	—	-50	—	-50	—	ns	21

- Notes:
- AC measurements assume $t_T = 5$ ns.
 - Assumes that $t_{\text{RCD}} \leq t_{\text{RCD}}(\text{max})$ and $t_{\text{RAD}} \leq t_{\text{RAD}}(\text{max})$. If t_{RCD} or t_{RAD} is greater than the maximum recommended value shown in this table, t_{RAC} exceeds the value shown.
 - Measured with a load circuit equivalent to 1 TTL load and 50 pF (HM51W4260C-6R), 1 TTL load and 100 pF (HM51W4260C-7/8) ($V_{\text{OH}} = 2.0$ V, $V_{\text{OL}} = 0.8$ V).
 - Assumes that $t_{\text{RCD}} \geq t_{\text{RCD}}(\text{max})$ and $t_{\text{RAD}} \leq t_{\text{RAD}}(\text{max})$.
 - Assumes that $t_{\text{RCD}} \leq t_{\text{RCD}}(\text{max})$ and $t_{\text{RAD}} \geq t_{\text{RAD}}(\text{max})$.
 - $t_{\text{OFF}}(\text{max})$ defines the time at which the output achieves the open circuit condition and is not referred to output voltage levels.
 - $V_{\text{IH}}(\text{min})$ and $V_{\text{IL}}(\text{max})$ are reference levels for measuring timing of input signals. Also, transition times are measured between V_{IH} and V_{IL} .
 - Operation with the $t_{\text{RCD}}(\text{max})$ limit insures that $t_{\text{RAC}}(\text{max})$ can be met, $t_{\text{RCD}}(\text{max})$ is specified as a reference point only, if t_{RCD} is greater than the specified $t_{\text{RCD}}(\text{max})$ limit, then access time is controlled exclusively by t_{CAC} .
 - Operation with the $t_{\text{RAD}}(\text{max})$ limit insures that $t_{\text{RAC}}(\text{max})$ can be met, $t_{\text{RAD}}(\text{max})$ is specified as a reference point only, if t_{RAD} is greater than the specified $t_{\text{RAD}}(\text{max})$ limit, then access time is controlled exclusively by t_{AA} .
 - t_{WCS} , t_{RWD} , t_{CWD} and t_{AWD} are not restrictive operating parameters. They are included in the data sheet as electrical characteristics only: if $t_{\text{WCS}} \geq t_{\text{WCS}}(\text{min})$, the cycle is an early write cycle and the data out pin will remain open circuit (high impedance) throughout the entire cycle; if $t_{\text{RWD}} \geq t_{\text{RWD}}(\text{min})$, $t_{\text{CWD}} \geq t_{\text{CWD}}(\text{min})$, $t_{\text{AWD}} \geq t_{\text{AWD}}(\text{min})$ and $t_{\text{CPW}} \geq t_{\text{CPW}}(\text{min})$, the cycle is a read-modify-write and the data output will contain data read from the selected cell; if neither of the above sets of conditions is satisfied, the condition of the data out (at access time) is indeterminate.
 - These parameters are referred to $\overline{\text{CAS}}$ leading edge in an early write cycle and to $\overline{\text{WE}}$ leading edge in a delayed write or a read-modify-write cycle.
 - t_{RASc} defines $\overline{\text{RAS}}$ pulse width in fast page mode cycles.
 - Access time is determined by the longest among t_{AA} , t_{CAC} and t_{ACP} .
 - An initial pause of 100 μs is required after power up followed by a minimum of eight initialization cycles ($\overline{\text{RAS}}$ -only refresh cycle or $\overline{\text{CAS}}$ -before- $\overline{\text{RAS}}$ refresh cycle). If the internal refresh counter is used, a minimum of eight $\overline{\text{CAS}}$ -before- $\overline{\text{RAS}}$ refresh cycles is required.
 - In delayed write or read-modify-write cycles, $\overline{\text{OE}}$ must disable output buffer prior to applying data to the device.
 - Either t_{RCH} or t_{RRH} must be satisfied for a read cycle.
 - When both $\overline{\text{UCAS}}$ and $\overline{\text{LCAS}}$ go low at the same time, all 16-bit data are written into the device. $\overline{\text{UCAS}}$ and $\overline{\text{LCAS}}$ cannot be staggered within the same write/read cycles.
 - All the V_{CC} and V_{SS} pins shall be supplied with the same voltages.
 - t_{ASC} , t_{CAH} , t_{RCS} , t_{WCS} , t_{WCH} , t_{CSR} , t_{RPC} and t_{COD} are determined by the earlier falling edge of $\overline{\text{UCAS}}$ or $\overline{\text{LCAS}}$.
 - t_{CRP} , t_{CHR} , t_{ACP} , t_{RCH} and t_{CPW} are determined by the later rising edge of $\overline{\text{UCAS}}$ or $\overline{\text{LCAS}}$.
 - t_{CWL} , t_{DH} , t_{DS} and t_{CHS} should be satisfied by both $\overline{\text{UCAS}}$ and $\overline{\text{LCAS}}$.

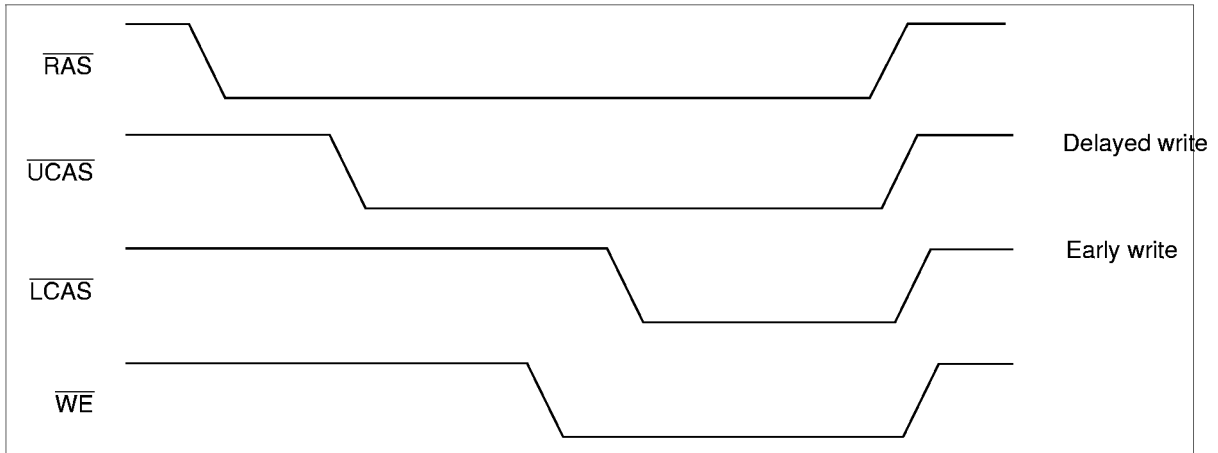
22. t_{CPN} and t_{CP} are determined by the time that both \overline{UCAS} and \overline{LCAS} are high.
23. When output buffers are enabled once, sustain the low impedance state until valid data is obtained. When output buffer is turned on and off within a very short time, generally it causes large V_{CC}/V_{SS} line noise, which causes to degrade $V_{IH\ min}/V_{IL\ max}$ level.
24. Please do not use t_{RASS} timing, $10\ \mu s \leq t_{RASS} \leq 100\ \mu s$. During this period, the device is in transition state from normal operation mode to self refresh mode. If $t_{RASS} \geq 100\ \mu s$, then \overline{RAS} precharge time should use t_{RPS} instead of t_{RP} .
25. If you use distributed CBR refresh mode with $15.6\ \mu s$ interval in normal read/write cycle, CBR refresh should be executed within $15.6\ \mu s$ immediately after exiting from and before entering into self refresh mode.
26. If you use \overline{RAS} only refresh or CBR burst refresh mode in normal read/write cycle, 512 cycles of distributed CBR refresh with $15.6\ \mu s$ interval should be executed within 8 ms immediately after exiting from and before entering into the self refresh mode.
27. Repetitive self refresh mode without refreshing all memory is not allowed. Once you exit from self refresh mode, all memory cells need to be refreshed before re-entering the self refresh mode again.
28. XXX: H or L (H: $V_{IH\ (min)} \leq V_{IN} \leq V_{IH\ (max)}$, L: $V_{IL\ (min)} \leq V_{IN} \leq V_{IL\ (max)}$)
/////: Invalid Dout
When the address, clock and input pins are not described on timing waveforms, their pins must be applied V_{IH} or V_{IL} .

HM51W4260C Series

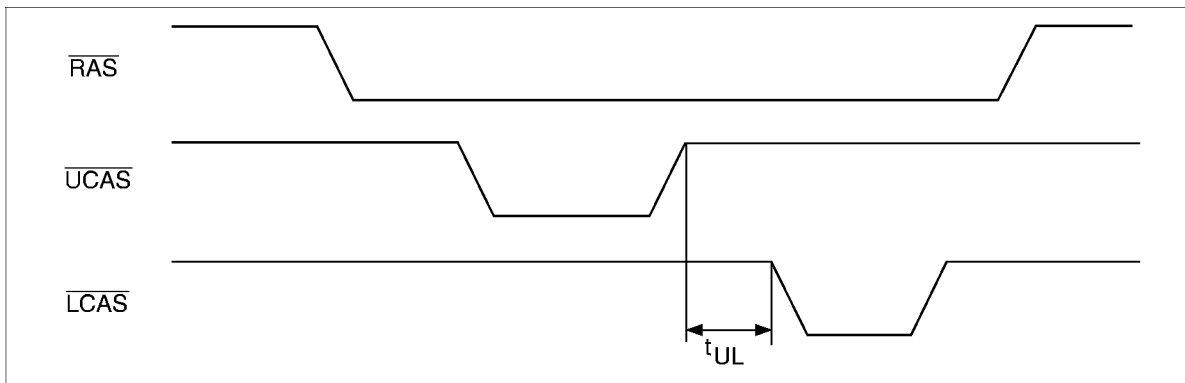
Notes concerning $\overline{2C\overline{AS}}$ control

Please do not separate the $\overline{UCAS}/\overline{LCAS}$ operation timing intentionally. However skew between $\overline{UCAS}/\overline{LCAS}$ are allowed under the following conditions.

1. Each of the $\overline{UCAS}/\overline{LCAS}$ should satisfy the timing specifications individually.
2. Different operation mode for upper/lower byte is not allowed; such as following.



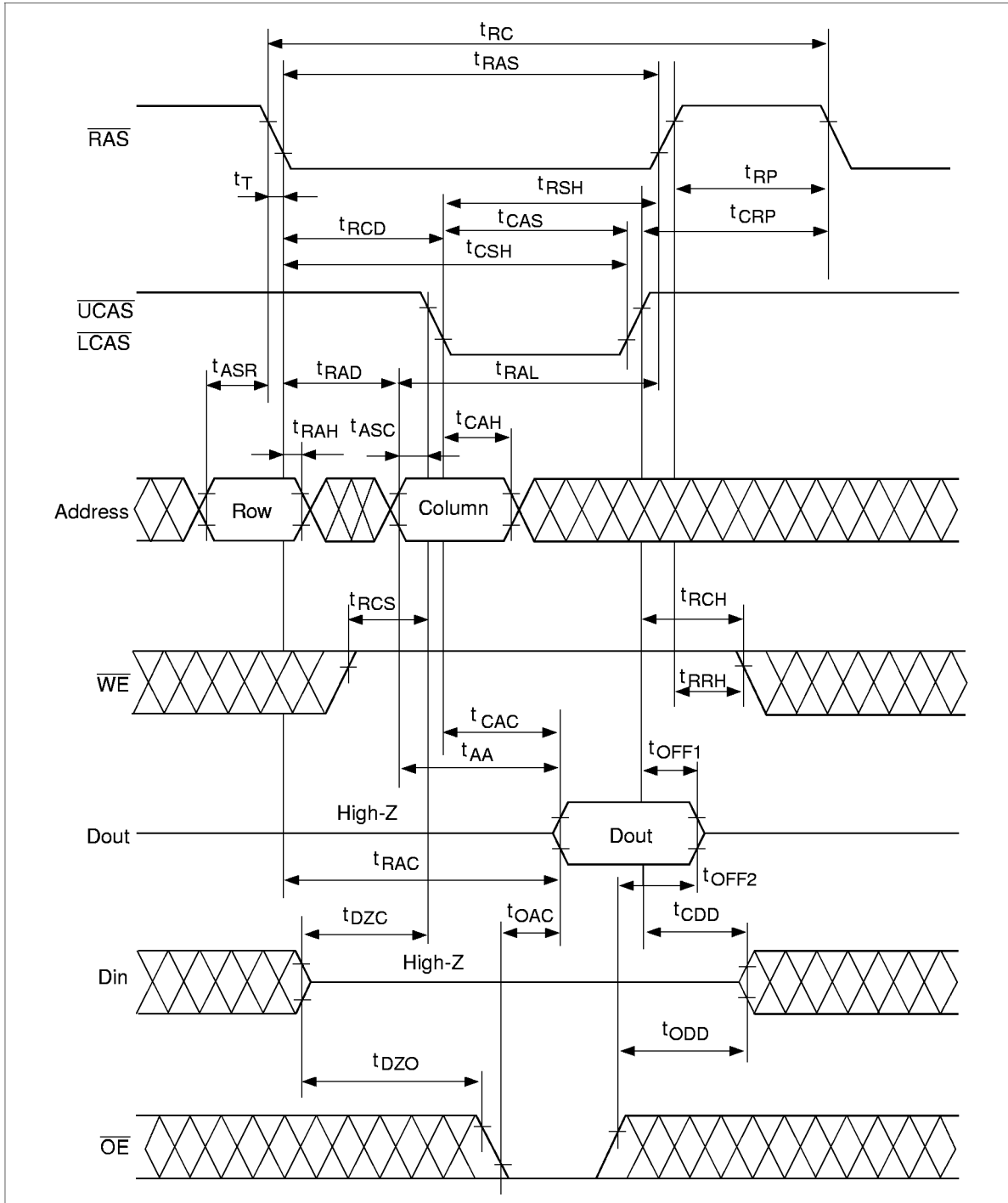
3. Closely separated upper/lower byte control is not allowed. However when the condition ($t_{CP} \leq t_{UL}$) is satisfied, fast page mode can be performed.



4. Byte control operation by remaining \overline{UCAS} or \overline{LCAS} high is guaranteed.

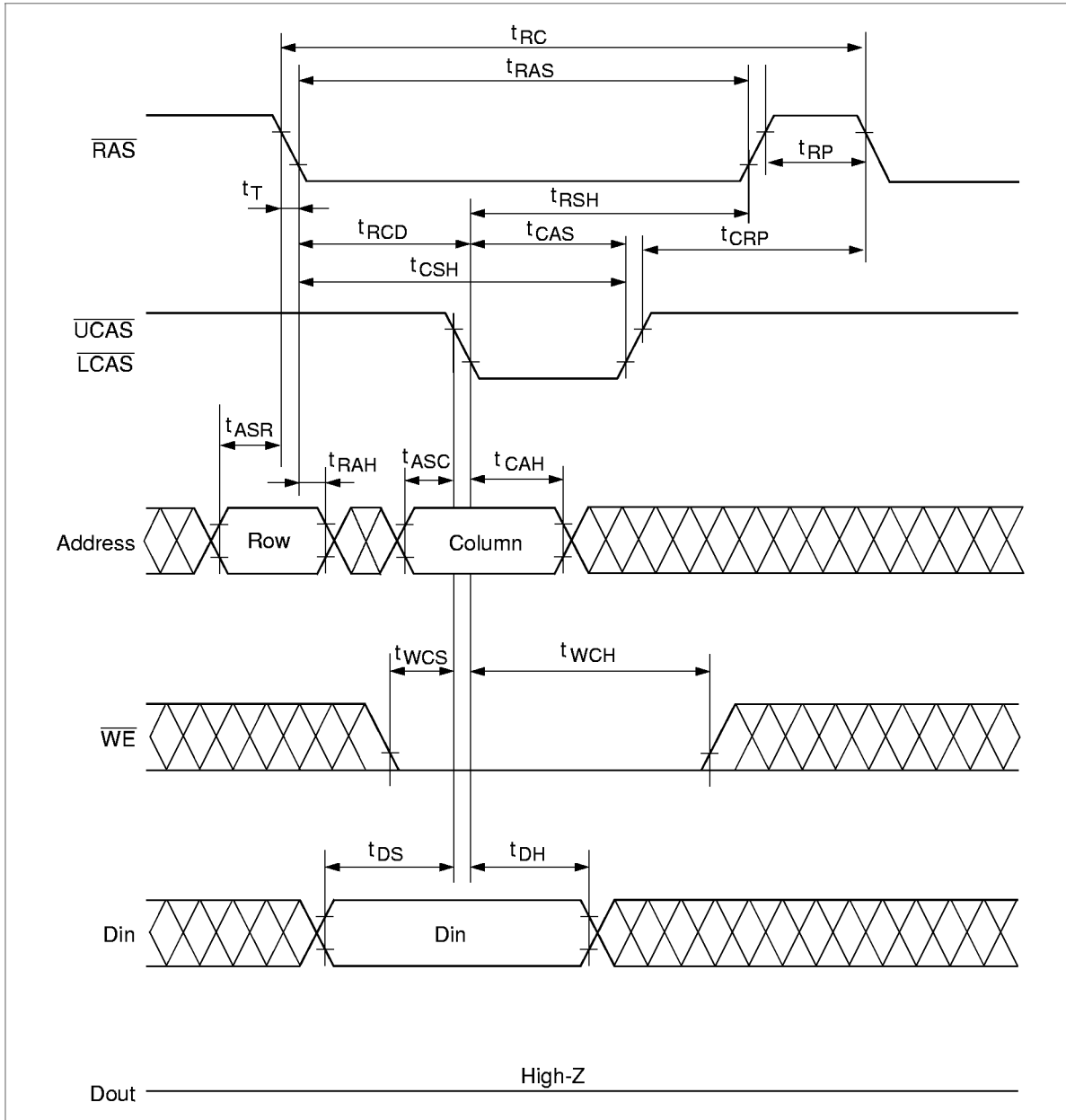
Timing Waveforms*28

Read Cycle



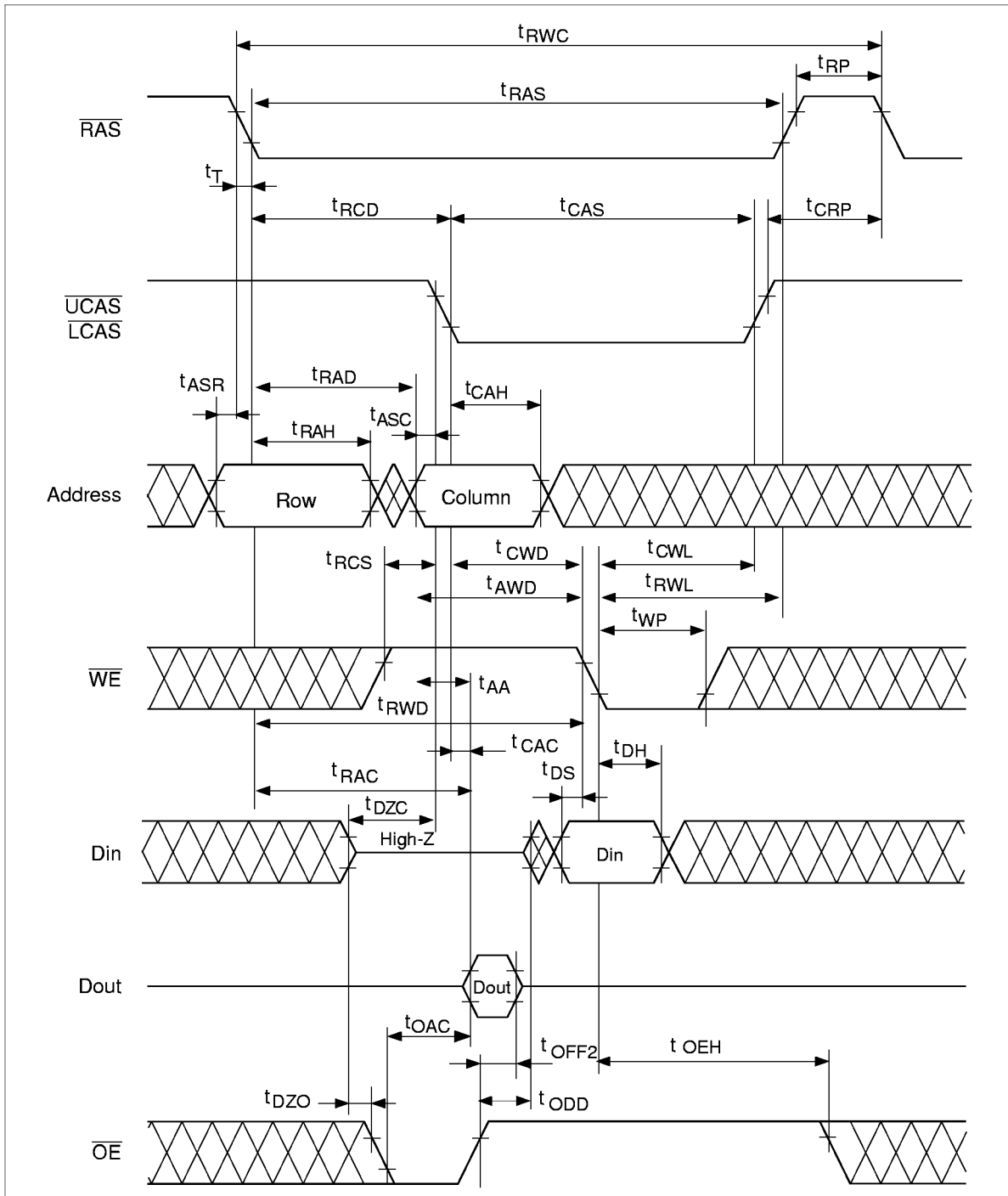
HM51W4260C Series

Early Write Cycle

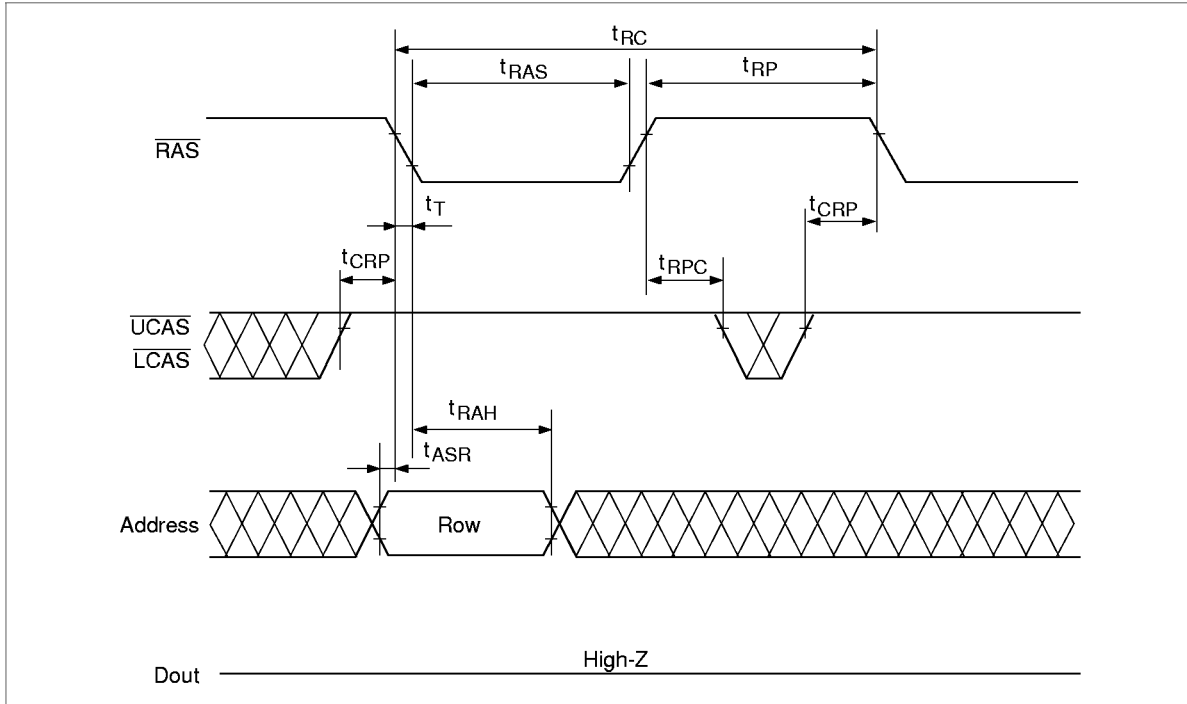


HM51W4260C Series

Read-Modify-Write Cycle

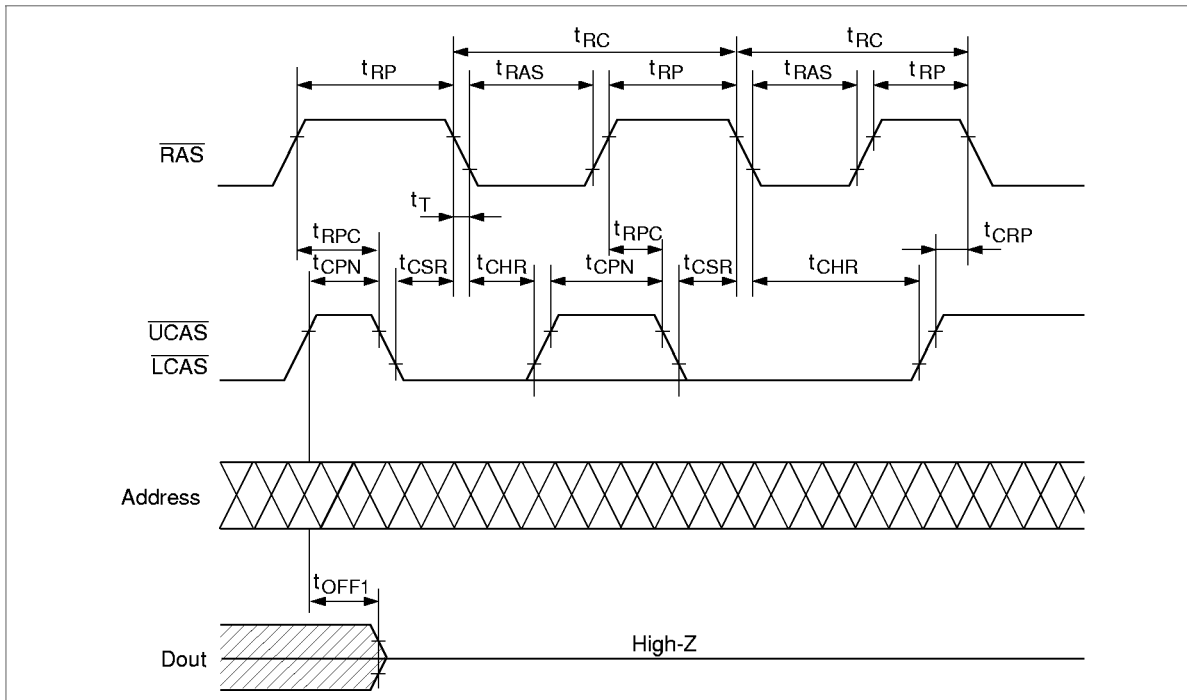


RAS-Only Refresh Cycle



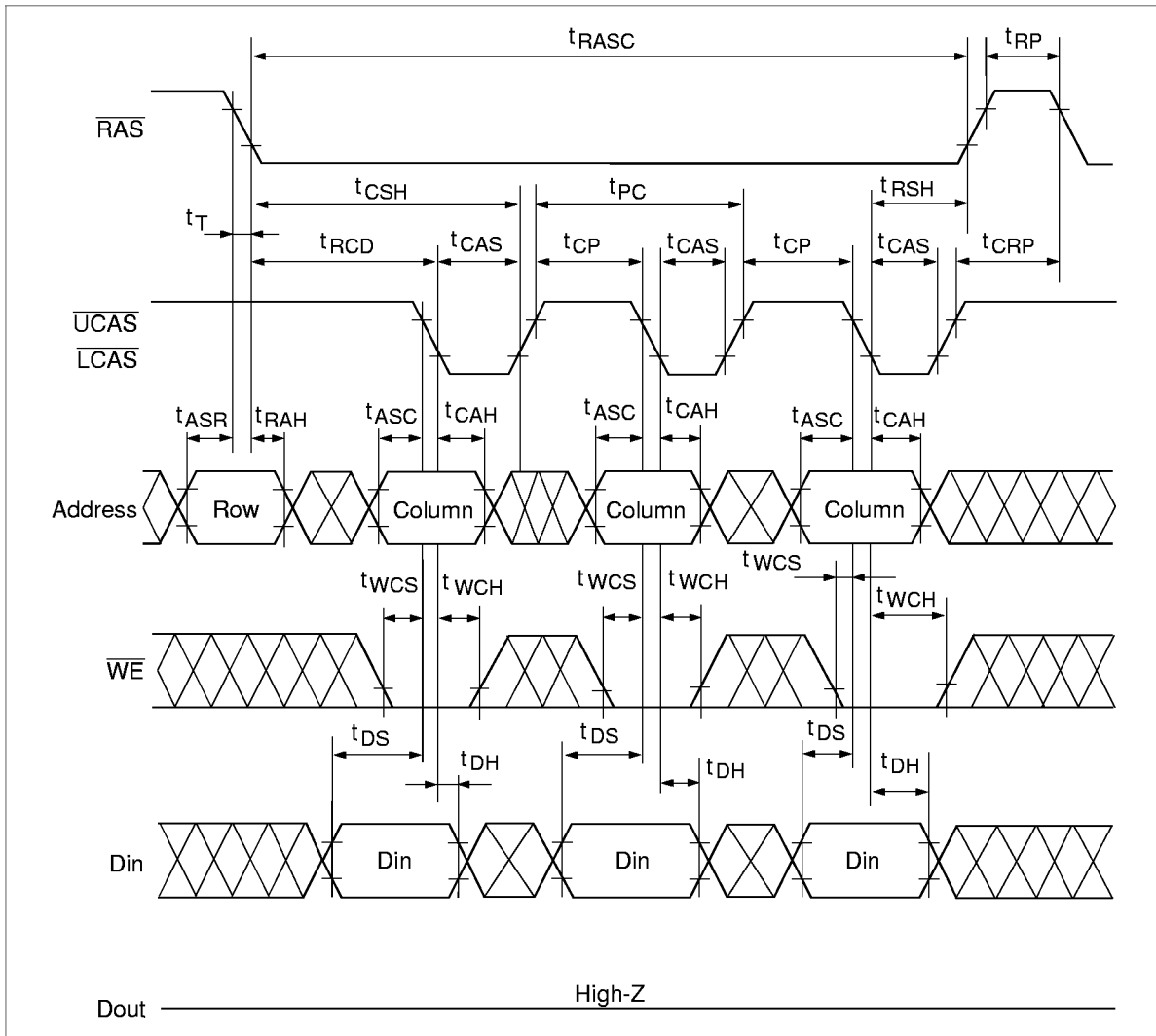
HM51W4260C Series

$\overline{\text{CAS}}$ -Before- $\overline{\text{RAS}}$ Refresh Cycle

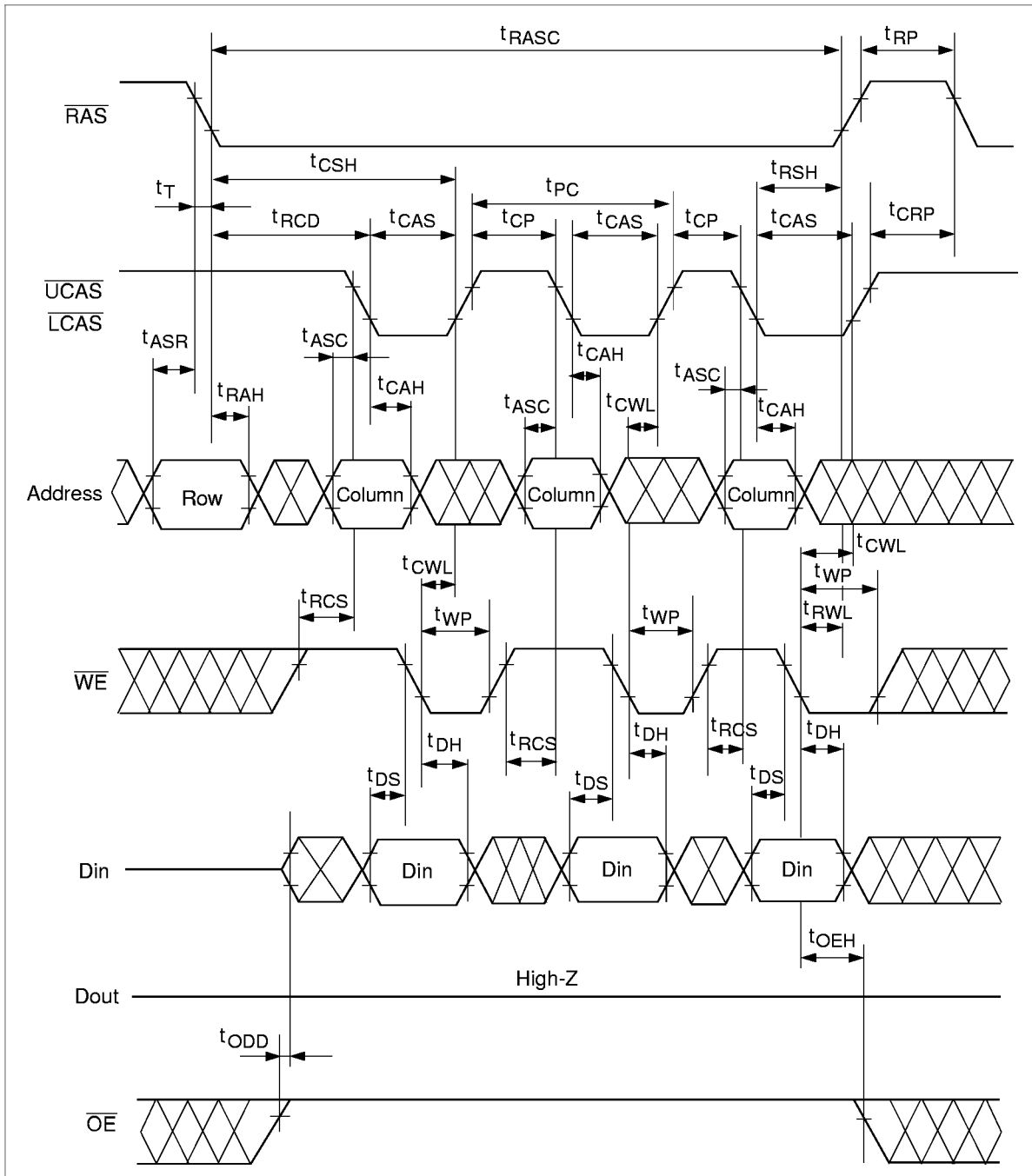


HM51W4260C Series

Fast Page Mode Early Write Cycle

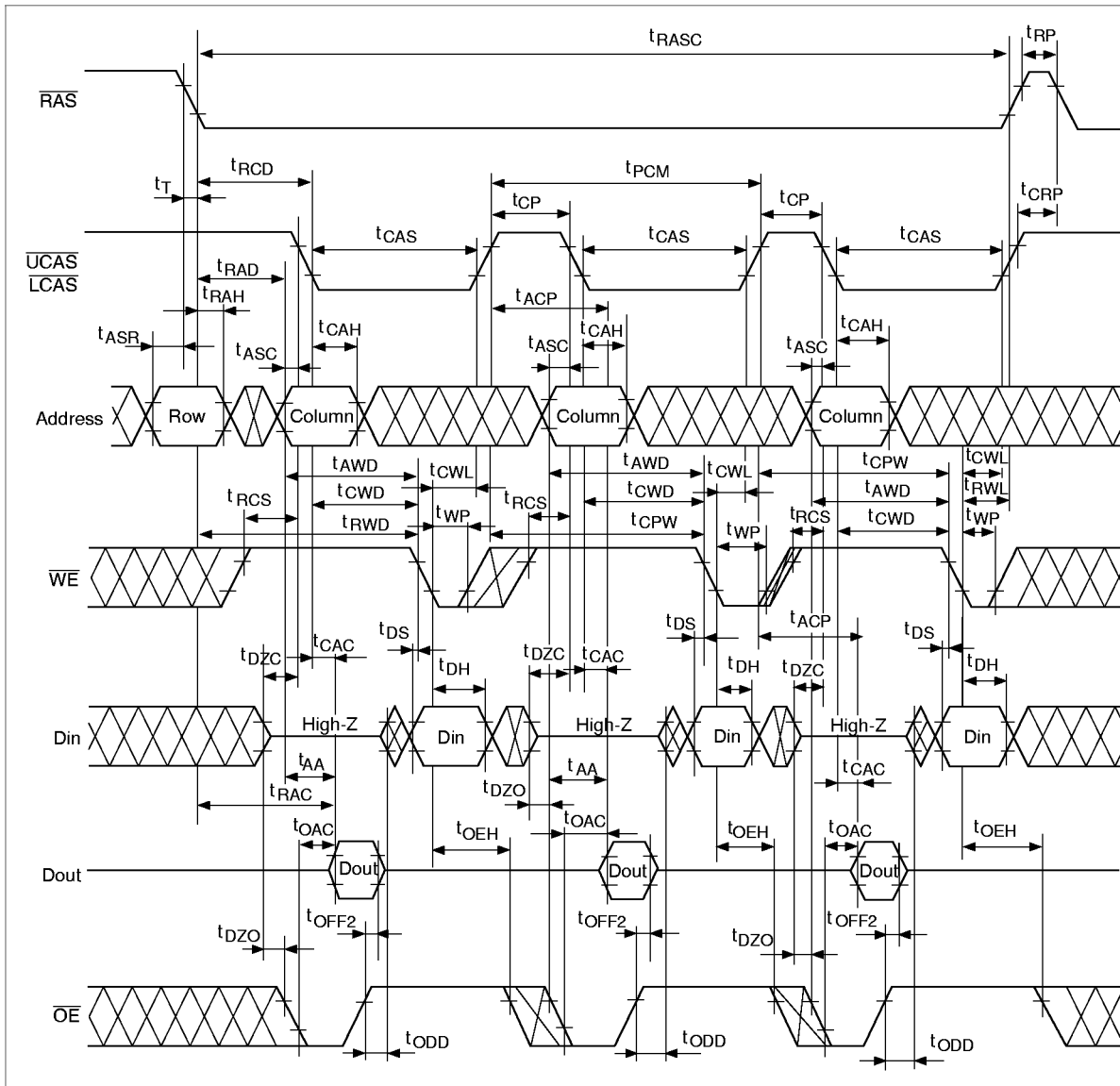


Fast Page Mode Delayed Write Cycle

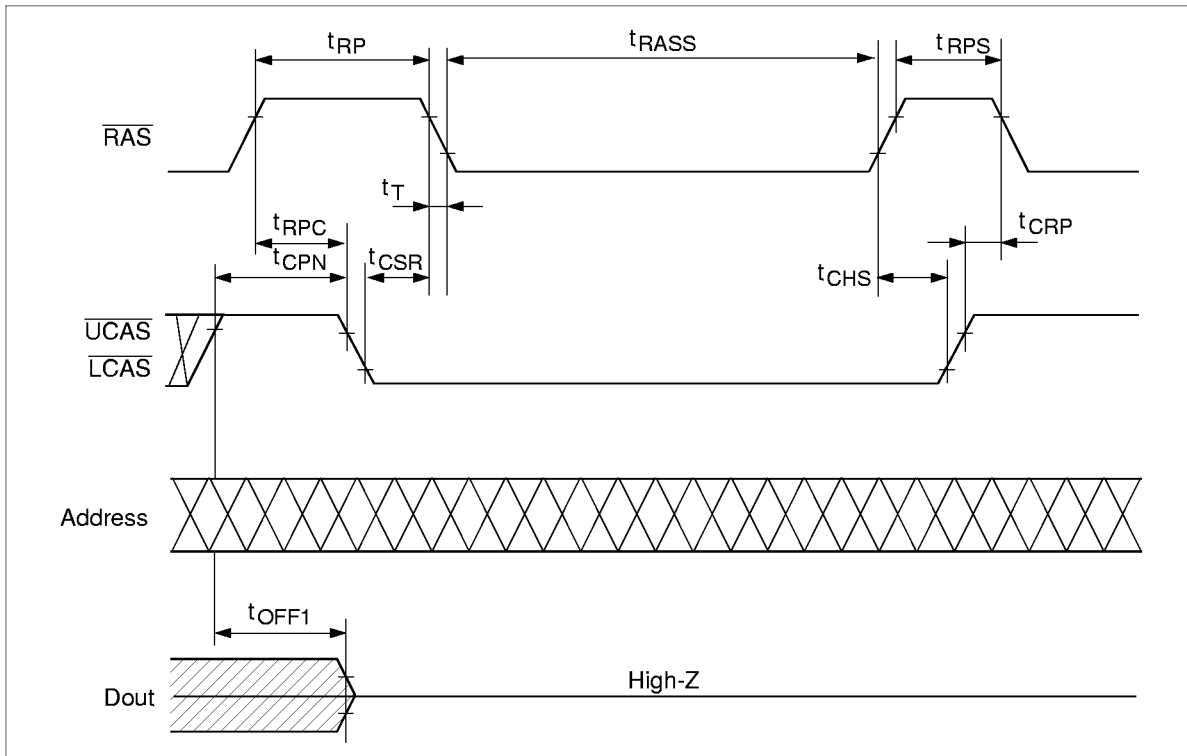


HM51W4260C Series

Fast Page Mode Read-Modify-Write Cycle



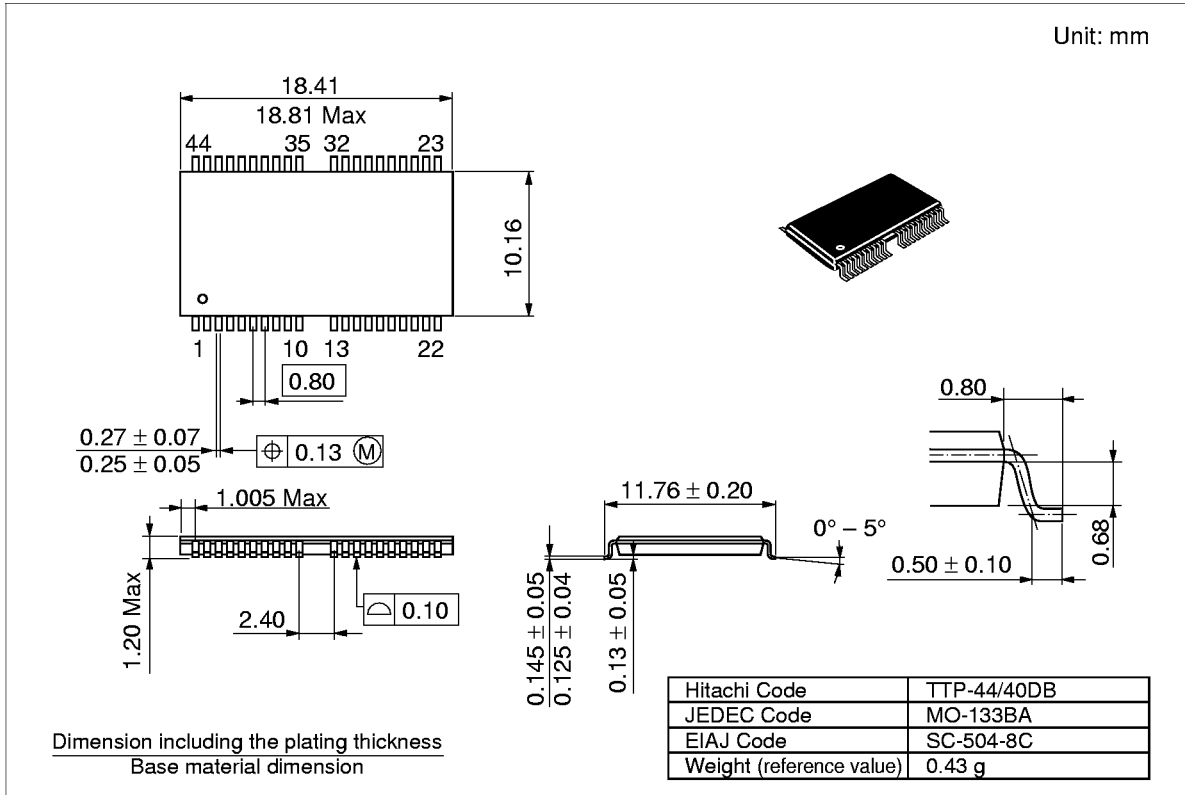
Self Refresh Cycle*24, 25, 26, 27



HM51W4260C Series

Package Dimensions

HM51W4260CTT/CLTT Series (TTP44/40DB)



When using this document, keep the following in mind:

1. This document may, wholly or partially, be subject to change without notice.
2. All rights are reserved: No one is permitted to reproduce or duplicate, in any form, the whole or part of this document without Hitachi's permission.
3. Hitachi will not be held responsible for any damage to the user that may result from accidents or any other reasons during operation of the user's unit according to this document.
4. Circuitry and other examples described herein are meant merely to indicate the characteristics and performance of Hitachi's semiconductor products. Hitachi assumes no responsibility for any intellectual property claims or other problems that may result from applications based on the examples described herein.
5. No license is granted by implication or otherwise under any patents or other rights of any third party or Hitachi, Ltd.
6. **MEDICAL APPLICATIONS:** Hitachi's products are not authorized for use in **MEDICAL APPLICATIONS** without the written consent of the appropriate officer of Hitachi's sales company. Such use includes, but is not limited to, use in life support systems. Buyers of Hitachi's products are requested to notify the relevant Hitachi sales offices when planning to use the products in **MEDICAL APPLICATIONS**.

HITACHI

Hitachi, Ltd.

Semiconductor & IC Div.
Nippon Bldg., 2-6-2, Ohte-machi, Chiyoda-ku, Tokyo 100, Japan
Tel: Tokyo (03) 3270-2111
Fax: (03) 3270-5109

For further information write to:

Hitachi America, Ltd.
Semiconductor & IC Div.
2000 Sierra Point Parkway
Brisbane, CA. 94005-1835
U S A
Tel: 415-589-8300
Fax: 415-583-4207

Hitachi Europe GmbH
Electronic Components Group
Continental Europe
Dornacher Straße 3
D-85622 Feldkirchen
München
Tel: 089-9 91 80-0
Fax: 089-9 29 30 00

Hitachi Europe Ltd.
Electronic Components Div.
Northern Europe Headquarters
Whitebrook Park
Lower Cookham Road
Maidenhead
Berkshire SL6 8YA
United Kingdom
Tel: 0628-585000
Fax: 0628-778322

Hitachi Asia Pte. Ltd.
16 Collyer Quay #20-00
Hitachi Tower
Singapore 0104
Tel: 535-2100
Fax: 535-1533

Hitachi Asia (Hong Kong) Ltd.
Unit 706, North Tower,
World Finance Centre,
Harbour City, Canton Road
Tsim Sha Tsui, Kowloon
Hong Kong
Tel: 27359218
Fax: 27306071

HM51W4260C Series

Revision Record

Rev.	Date	Contents of Modification	Drawn by	Approved by
0.0	Sep. 7, 1994	Initial issue	S. Hatano	M. Yamamura
1.0	Feb. 2, 1995	Recommended DC Operating conditions V_{IH} min: 2.4 V to 2.0 V	A. Kumata	J. Kitano
2.0	Jul. 18, 1996	Addition of HM51W4260C-6R Series AC Characteristics Deletion of note 27: Measured with a load circuit equivalent to 1 TTL load and 100 pF Change of note 3 Addition of note 24 Change of note 28 Note concerning $\overline{2CAS}$ control Addition of note 4 Timing waveforms Deletion of notes about undefined pins Change waveforms Read-modify-write cycle Fast page mode read cycle \overline{CAS} -before- \overline{RAS} refresh cycle Fast page mode read-modify-write cycle Self refresh cycle	A. Kumata	S. Suzuki
3.0	Jul. 10, 1997	Correct errors DC Characteristics Test condition of I_{CC1} , I_{CC5} : \overline{UCAS} or to \overline{UCAS} , AC Characteristics Correct note numbers on tables Timing waveforms Read-modify-write cycle, Fast page mode read-modify-write cycle		
